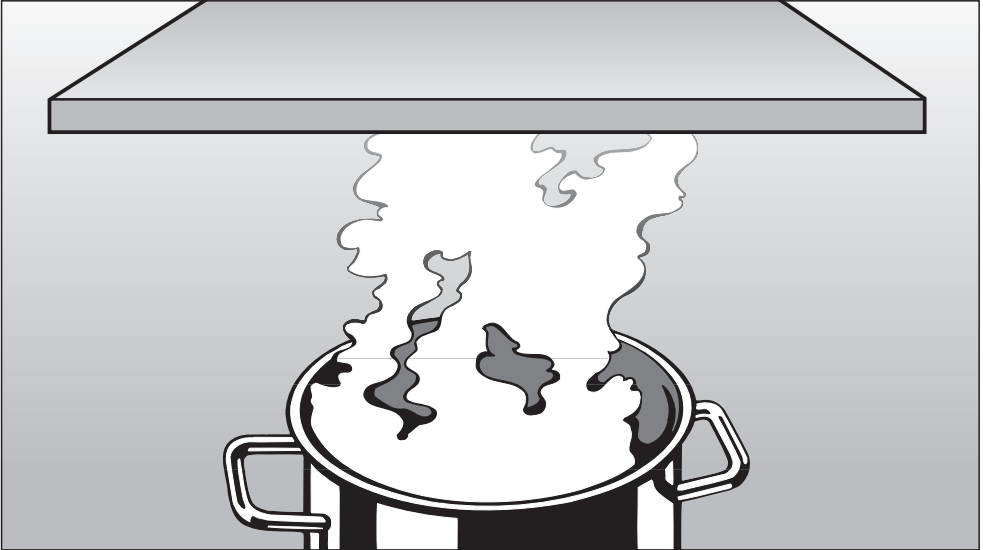


Operating and installation instructions



Cooker hood
DA 279-4
DA 279-4 EXT
DA 279-4 Alu
DA 279-4 Alu EXT

To avoid the risk of accidents
or damage to this appliance
it is **essential** to read these
instructions before it is installed
and used for the first time.

en - GB, AU, NZ

Contents

Caring for the environment	4
Warning and Safety instructions	5
Modes of operation	11
Guide to the appliance	12
Miele@home	14
Con@ctivity	14
Operation	15
To switch the fan on	15
To select a power level	15
Intensive setting	15
Run-on option	16
To switch the fan off	16
To switch the hob lighting on	17
To dim the hob lighting	17
To switch the hob lighting off	17
Glass edge feature lighting	17
Filter operating hours counter	18
Cleaning and care	22
Housing	22
Grease filters	24
Charcoal filter	25
Changing a halogen lamp	27
After Sales Service	28
Appliance dimensions	29
Safety distance (S)	29
Installation	30
Assembly parts	30
Installation instructions	32
Protective foil	32
Dismantling	32
Connection for air extraction	33
Condensate trap	34
Silencer	34
Electrical connection	35

Operation with Control module DSM 400	36
Connection to a window contact switch	36
Potential free connection	36
Connection to a light switch	37
Technical data	38

Caring for the environment

Disposal of the packing material

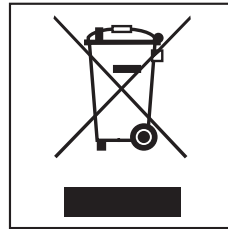
The transport and protective packing has been selected from materials which are environmentally friendly for disposal, and can normally be recycled.

Packaging e.g. cling film, polystyrene and plastic wrappings must be kept out of the reach of babies and young children. Danger of suffocation!

Dispose of or recycle all packaging materials safely as soon as possible.

Disposal of your old appliance

Electrical and electronic appliances often contain materials which, if handled or disposed of incorrectly, could be potentially hazardous to human health and to the environment. They are, however, essential for the correct functioning of your appliance. Please do not therefore dispose of it with your household waste.



Please dispose of it at your local community waste collection / recycling centre or contact your dealer for advice. Ensure that it presents no danger to children while being stored for disposal.

It should be unplugged or disconnected from the mains electricity supply by a competent person.

Warning and Safety instructions

This appliance complies with all relevant local and national safety requirements. Inappropriate use can, however, lead to personal injury and damage to property.

To avoid the risk of accidents and damage to the appliance, please read these instructions carefully before using it for the first time. They contain important information on the safety, installation, use and maintenance of the appliance.

Keep these instructions in a safe place and ensure that all users are familiar with the contents. Pass them on to any future owner of the appliance.

Correct application

► This appliance is intended for domestic use only. Any other usage is at the owner's risk and could be dangerous. The manufacturer cannot be held liable for damage resulting from incorrect or improper use or operation.

► This appliance is not intended for use by persons (including children) with reduced physical, sensory or mental capabilities, or lack of experience or knowledge, unless they are supervised whilst using it or have been shown how to use it correctly by a person responsible for their safety.

Safety with children

► This appliance is only intended for use by adults who have read these instructions.

► This appliance is not a toy! To avoid the risk of injury, keep children well away and do not allow them to play with it or to use the controls. They will not understand the potential dangers posed by it. They should be supervised whenever you are working in the kitchen.

► Older children may use the cooker hood only when its operation has been clearly explained to them and they are able to use it safely, recognising the dangers of misuse.

► Please be aware that on cooker hoods with halogen lighting, the lamps will get very hot during use and remain hot for some time after switching off. To safeguard against burning, keep children well away from the lamps at all times.

Warning and Safety instructions

Technical safety

► Before installation, check the cooker hood for visible signs of damage. Under no circumstances should you use a damaged appliance. A damaged appliance is dangerous.

► Before connecting the appliance to the mains supply, make sure that the voltage and frequency details given on the data plate correspond with the on-site electricity supply, otherwise the appliance could be damaged. Consult a qualified electrician if in any doubt.

► The electrical safety of this appliance can only be guaranteed when continuity is complete between it and an effective earthing system which complies with current local and national safety regulations. It is most important that this basic safety requirement is present and tested regularly, and where there is any doubt, the household wiring system should be inspected by a qualified electrician. The manufacturer cannot be held liable for the consequences of an inadequate earthing system (e.g. electric shock).

► For safety reasons, this appliance may only be used when it has been fully installed.

► Only open the housing as described in the instructions given in the installation sheet and in the Cleaning and care section of this booklet. Under no circumstances should any other parts of the housing be opened. Tampering with electrical connections or components and mechanical parts is highly dangerous to the user, and can cause operational faults.

► Installation, maintenance and repairs may only be carried out by a Miele authorised person in accordance with current national and local safety regulations.

Repairs and other work by unqualified persons could be dangerous. The manufacturer cannot be held liable for unauthorised work.

► Faulty components must only be replaced by genuine Miele original parts. The manufacturer can only guarantee the safety of the appliance when Miele replacement parts are used.

► During installation, maintenance and repair work, the appliance must be disconnected from the mains electricity supply. It is only completely isolated from the electricity supply when:

- it is switched off at the isolator, or
- the screw-out fuse is removed (in countries where this is applicable), or
- the mains fuse is disconnected, or
- it is switched off at the wall socket and the plug withdrawn, or
- the fuse from the fused spur connection unit is withdrawn.

Warning and Safety instructions

▶ Do not connect the appliance to the mains electricity supply by a multi-socket unit or an extension lead. These do not guarantee the required safety of the appliance (e.g. danger of overheating).

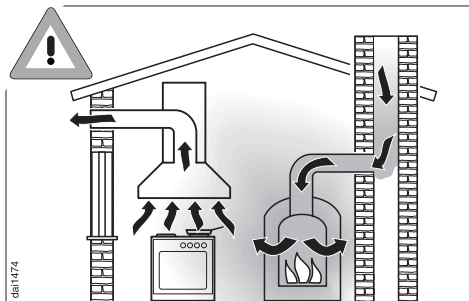
▶ For appliances with an external fan motor fitted (...EXT models) the connection of the two units must be made using the connection cable and the plug connectors. These models may only be combined with a Miele external motor.

▶ This appliance may only be used in mobile installations such as ships, caravans, aircraft etc. if a risk assessment of the installation has been carried out by a suitably qualified engineer.

▶ In areas which may be subject to infestation by cockroaches or other vermin, pay particular attention to keeping the appliance and its surroundings in a clean condition at all times. Any damage which may be caused by cockroaches or other vermin will not be covered by the guarantee.

Using at the same time as other heating appliances that depend on the air from the room

Warning - danger of toxic fumes



▶ Great care should be taken when using the cooker hood at the same time and in the same room or area of the house as another heating appliance which depends on the air in the room. Such appliances include gas, oil, wood or coal-fired boilers and heaters, continuous flow or other water heaters, gas hobs, cookers or ovens which draw air in from the room and duct exhaust gases out through a chimney or extraction ducting.

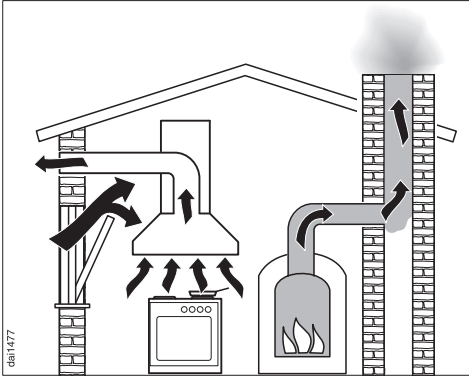
When used in extraction mode, with or without an external motor fitted, the appliance draws air in from the room in which it is installed **and** from neighbouring rooms.

If there is insufficient air, an underpressure will occur. The heating appliance may be starved of oxygen, impairing combustion.

Harmful gases could be drawn out of the chimney or extraction ducting back into the room, with potentially fatal consequences.

Warning and Safety instructions

In order to ensure safe operation, and to prevent gases given off by the heating appliances from being drawn back into the room when the cooker hood and the heater are in operation simultaneously, an underpressure of 0.04 mbar (4 pa) is the maximum permissible in the room.



Ventilation can be maintained by air inlets which must not be blocked, in windows, doors and outside wall vents, or by other technical measures, such as ensuring that the cooker hood can only be switched on when the heating appliance is switched off or vice versa. A ventilation brick alone is not generally sufficient to ensure safe ventilation.

⚠ The overall ventilation condition of the dwelling must be taken into account. If in any doubt, the advice of a competent builder or, for gas, a qualified gas fitter (Corgi registered in the UK) must be sought.

One of the following technical measures may be necessary to ensure safe operation.

- If the only way of ensuring adequate ventilation is via an open window, a window contact switch should be fitted to ensure that the cooker hood can only operate when the window is opened sufficiently. Take care when ventilating the room through an open window that ventilation is not impaired by a closed blind or curtain.
- The cooker hood can be set up to automatically switch on an air intake fan or open a motorised inlet flap when it is switched on.
- The cooker hood can be set up to automatically switch off a heating appliance which also depends on the air from the room when it is switched on.

The Miele DSM 400 control module offers the possibility of combining other components with the cooker hood (see "Operation with Control module DSM 400").

It is available to purchase as an optional extra.

If in any doubt, the advice of a qualified builder, gas fitter (Corgi registered in the UK) or electrician must be sought.

If the hood is being operated in recirculation mode, the above restrictions do not apply.

Warning and Safety instructions

Correct use

▶ Never use an open flame beneath the cooker hood. To avoid the danger of fire, do not flambé or grill over an open flame.

When switched on, the cooker hood could draw flames into the filter. Fat particles drawn into the cooker hood present a fire hazard.

▶ When using the cooker hood over a gas hob, ensure that any burners in use are always covered by a pan. Switch the cooking zone off when a pan is removed, even for a short time.

Regulate the flame so that it does not burn up the sides of the pan.

Do not allow the pans to overheat excessively (e.g. when using a wok).

The cooker hood can become damaged when exposed to excessive heat.

▶ Always switch the cooker hood on when a cooking zone is in use, otherwise condensation may collect in the hood, which could cause corrosion.

▶ When cooking with oil or fat, chip pans and deep fat fryers etc, do not leave the pans unattended. Never leave an open grill unattended when grilling. Overheated oil and fat can ignite and could set the cooker hood on fire.

▶ Do not use the cooker hood without the filters in place. This way you will avoid the risk of grease and dirt getting into the appliance and hindering its smooth operation.

▶ The filters should be regularly cleaned or changed as appropriate. Saturated filters are a fire hazard. See "Cleaning and care".

▶ Do not use a steam-cleaner to clean this appliance. Steam could reach the electrical components and cause a short circuit.

Correct installation

▶ Refer to the cooker or hob manufacturer's instructions as to whether a cooker hood may be operated above the cooker/hob.

▶ The minimum safety distances between the top of the cooker or hob and the bottom of the cooker hood given in the "Appliance dimensions" section of this booklet must be maintained, unless the hob manufacturer states that a greater safety distance is required.

If more than one cooking appliance is fitted beneath the cooker hood, and they have different minimum safety distances to the cooker hood, select the greater distance.

Warning and Safety instructions

- ▶ Safety regulations prohibit the fitting of a cooker hood over solid fuel stoves.
- ▶ All ducting, pipework and fittings must be of non-flammable material. These can be obtained from the Miele Spare Parts department or from builders' merchants.
- ▶ The appliance must not be connected to a chimney or vent flue which is in use. Neither should it be connected to ducting which ventilates rooms with fireplaces.
- ▶ If exhaust air is to be extracted into a chimney or ventilation duct no longer used for other purposes, seek professional advice.

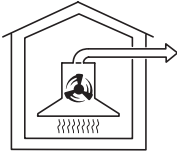
Accessories

- ▶ Only use genuine Miele spare parts and accessories with this appliance. If spare parts or accessories from other manufacturers are used, this will invalidate the guarantee, and Miele cannot accept liability.

The manufacturer cannot be held liable for damage caused by non-compliance with these Warning and Safety instructions.

The cooker hood works with

... air extraction:



The air is drawn in and cleaned by the grease filters and directed outside.

If the on-site ventilation system does not have a **non-return flap**, the non-return flap supplied with the appliance must be fitted in the exhaust socket in the motor unit.

Having a non-return flap fitted in the ducting ensures that air, once ducted to the outside, cannot get back into the room again.

The flap is closed when the cooker hood is switched off.

When the cooker hood is switched on, the non-return flap opens for the cooking vapours to be blown directly outside.

... air recirculation:

(available as an optional extra with a conversion kit and charcoal filter: see "Technical Data")

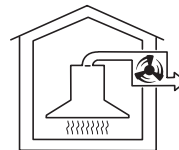


The air is drawn in and cleaned first by the grease filters and then by a **charcoal filter**. The cleaned air is then recirculated back into the kitchen through grilles in the top of the cooker hood extension piece.

Before using the cooker hood in recirculation mode, ensure that the charcoal filter is in place. See "Cleaning and care".

... an external motor:

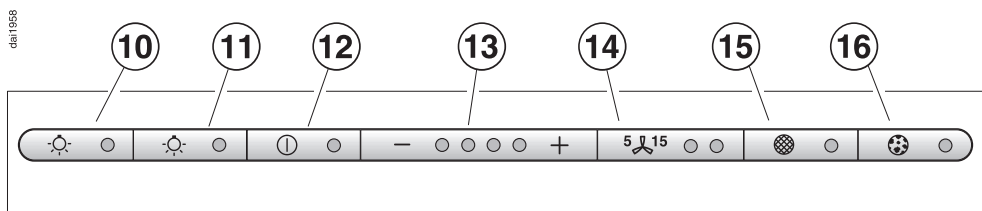
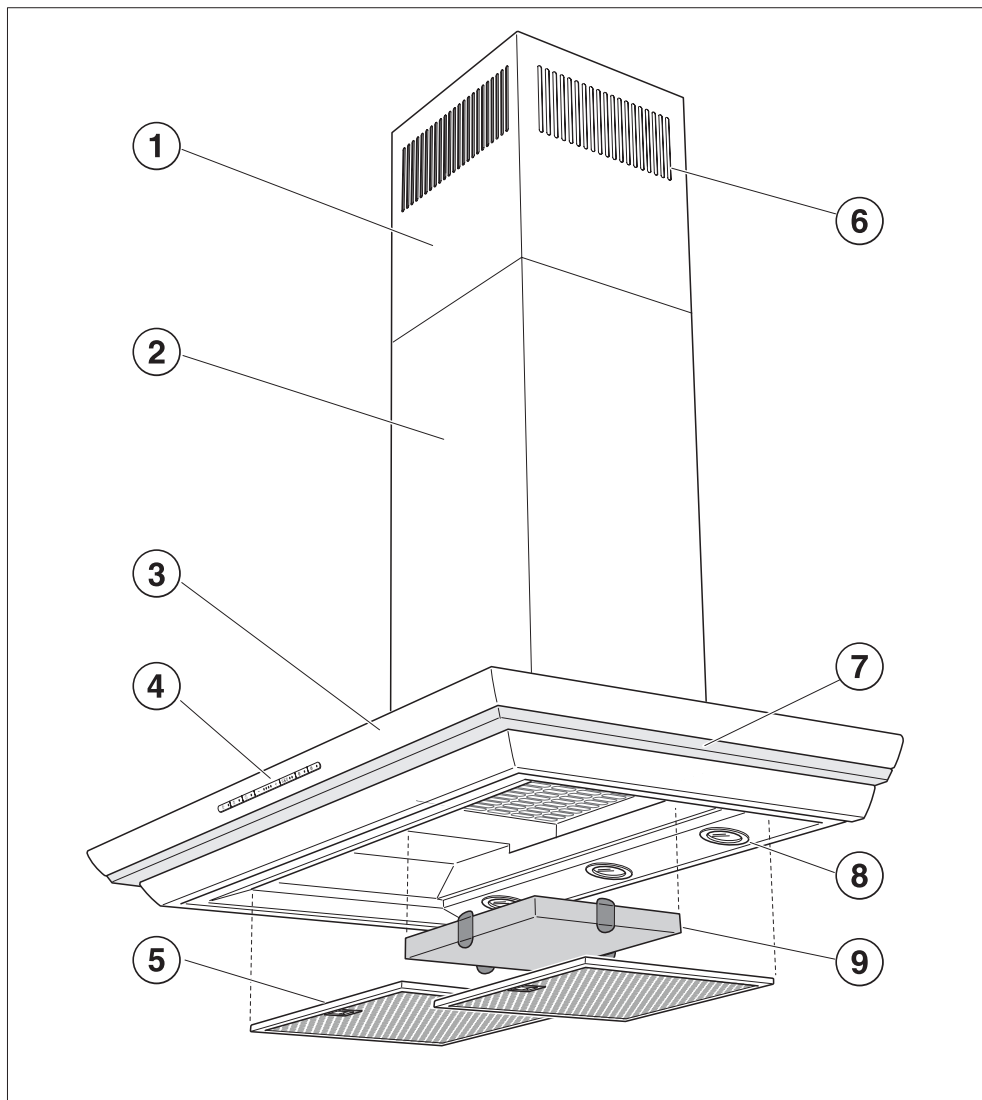
(...EXT models only)



The ...EXT models are designed to be connected to an external motor located outside the room.

The external motor is connected to the cooker hood by means of a control cable, and is operated by the controls on the cooker hood.

Guide to the appliance



dian1958

① Telescopic extension piece

② Tower

③ Canopy

④ Control panel

⑤ Grease filters

⑥ Recirculation grilles

(only for recirculation mode)

⑦ Glass edge feature lighting

⑧ Hob lighting

⑨ Charcoal filter

(special accessory for recirculation mode)

⑩ Touch control for glass edge feature lighting

⑪ Touch control for the hob lighting

This control switches the lighting on and off, and is also a dimmer switch.

⑫ Touch control for the fan

⑬ Touch controls to select the fan power level

⑭ Touch control for the run-on option

To activate the run-on option. The fan can be set to switch off automatically after either 5 or 15 minutes.

⑮ Touch control for the grease filters

The indicator lamp for the grease filters lights up when the grease filters need to be cleaned.

The touch control is used to reset the operating hours counter every time the grease filters are cleaned (see "Cleaning and care").

It can also be used to check and alter the operating hours counter.

⑯ Touch control for the charcoal filter

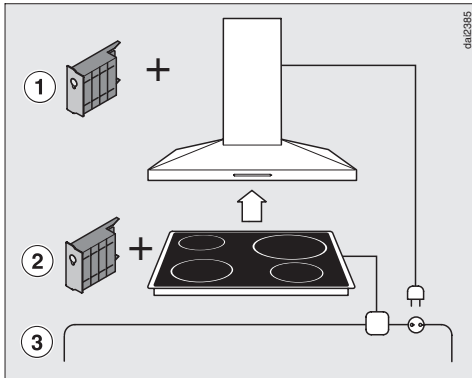
The indicator lamp for the charcoal filter lights up when the charcoal filter used in recirculation mode needs to be replaced. For this to happen, the operating hours counter needs to be activated before the appliance is used for the first time.

The touch control is used to reset the operating hours counter every time the charcoal filter is replaced (see "Cleaning and care").

It can also be used to check and alter the operating hours counter.

For information about using the appliance, see "Operation".

Con@ctivity



This cooker hood is communication enabled.

Communication module XKM 2000 DA ①, available as an optional extra, enables the operation of the cooker hood to be automatically controlled by the operating status of a Miele electric hob with onset controls.

For communication to take place, the hob must be fitted with communication module XKM 2000 KM ②.

The hob transmits information about its operating status to the cooker hood via the household power supply (Powerline) ③.

- When the hob is switched on the cooker hood lights and the fan also comes on.
- During cooking the cooker hood automatically sets its power level according to the number of cooking zones in operation and their power levels.
- After switching the hob off the fan and the lighting on the cooker hood will switch off automatically after a period of time.

For detailed information about this function please read the separate instruction booklet supplied with the XKM 2000 DA communication module.

The communication module is fitted to the cooker hood in the area of the motor and is connected to the controls of the cooker hood.

This module must be installed by a Miele service technician or suitably qualified electrician.

To switch the fan on



- Press the On/Off touch control.

The fan runs at power level "II".
The indicator lamp will come on.

If the cooker hood has been connected to a window contact switch via the Miele Control module DSM 400, then the fan cannot be switched on if the window is shut. The indicator lamp will flash.

To select a power level



- Use the - / + controls to select the power level required.

+ control = higher setting
- control = lower setting

Depending on the intensity of the cooking vapours, levels I to III (green indicator lamps) are usually sufficient for normal cooking.

Intensive setting

When frying or cooking food with a strong aroma, you may wish to select the Intensive setting, level IV (yellow indicator lamp) for a short period.

Automatic switch-off of the Intensive setting

You can set the Intensive setting so that it only runs for 10 minutes before reverting automatically to level III.

- To set this option, both the fan and the hob lighting must be switched off.



- Press the run-on option touch control for approximately 10 seconds. The first fan setting indicator will light up.
- Then press in turn,



- the right-hand lighting touch control,



- the - touch control, and



- the right-hand lighting touch control.

Operation



The indicator lamps for fan power levels I and IV will flash if the automatic switch-off for the Intensive setting is not activated.

- Press the + touch control to activate the automatic switch-off. The indicator lamps for fan power levels I and IV will now light up constantly. Press the - control to deactivate the automatic switch-off function.



- Press the run-on option control to confirm your selection.

If you do not confirm your selection within 4 minutes, the cooker hood will automatically revert to the original setting.

Run-on option

It is advisable to run the fan for a few minutes after cooking is finished to neutralise any lingering odours in the air, whether you are using air extraction or recirculation mode.

The fan can be set to switch off automatically after either 5 or 15 minutes:



- After cooking is finished, press the run-on option touch control whilst the fan is still running.
 - Press once = The fan will switch off after 5 minutes (left-hand indicator lamp).
 - Press twice = The fan will switch off after 15 minutes (right-hand indicator lamp).

To switch off the run-on option, press the run-on option control again. The appliance will then not switch off automatically.

To switch the fan off



- Press the On/Off touch control to switch the fan off.

The indicator lamp will go out.

To switch the hob lighting on

The hob lighting can be switched on and off independently of the fan.



- Briefly press the right hand lighting touch control to switch on the hob lighting.

The indicator lamp will come on.

The hob lighting will switch on at maximum brightness.

To dim the hob lighting

The brightness of the lighting can be adjusted.

- With the lighting switched on, press and hold the right hand lighting control in.
The brightness will gradually dim until you release the control.
- Press the touch control in again to increase the brightness to the level required, and then release it.

If you keep the control pressed in, the light will continually change between bright and dim.

To switch the hob lighting off

- Press the hob lighting touch control briefly to switch the lighting off.

The indicator lamp will go out.

Glass edge feature lighting



- The glass edge feature lighting can be turned on or off independently of the fan, using the left hand lighting control.

Safety cut-out

Should the cooker hood be left on, the fan will switch off automatically after 10 hours. The lighting will remain on.



- Pressing the On/Off control will switch the fan back on again.

Operation

Filter operating hours counter

The number of hours the appliance has been in operation is stored in memory.

The operating hours counter tells you when the grease filters or charcoal filter need to be cleaned or replaced.

Resetting the operating hours counter for the grease filters



After 30 hours of operation (or another time if the operating hours counter has been altered), the grease filter indicator lamp will light up. The grease filters must then be cleaned.

Afterwards, the filter operating hours counter must be reset.

- To do this, press and hold the grease filter touch control in for approximately 3 seconds while the fan is switched on.

The indicator lamp for the touch control will go out.

Reading the operating hours counter for the grease filters

To check the percentage of time set already used:



- Press the On/Off touch control to switch the fan on.



- Press and hold the grease filter touch control.



One or more of the indicator lamps for the **- / +** controls will flash.

The number of flashing lamps shows the percentage of the operating time which has already been used up.

- 1 lamp = 25 %
- 2 lamps = 50 %
- 3 lamps = 75 %
- 4 lamps = 100 %

The number of operating hours used remains in the memory, even when the appliance is switched off or there is a power cut.

Altering the operating hours counter for the grease filters

The operating hours counter for the grease filters is set to 30 hours. This can be lengthened or shortened to suit the type of cooking you do.

- Select a short time if you roast or fry a lot.
- If you use very little fat for cooking, select a longer time.
- If you only cook occasionally we recommend that you still select a short time, because grease which has built up gradually over a long period of time will harden on the grease filters and make cleaning more difficult.

The operating hours counter for the grease filters is set at the factory for 30 hours. The time set can be lengthened or shortened: you can choose 20, 30, 40 or 50 hours.



- Press the On/Off control to switch the fan off.



- Press the run-on option touch control and the grease filter touch control at the same time.

The indicator lamp for the grease filter touch control and one of the – / + indicator lamps will flash.



The – / + indicator lamps show the time which has been set:

- 1st lamp from the left = 20 hours
- 2nd lamp from the left = 30 hours
- 3rd lamp from the left = 40 hours
- 4th lamp from the left = 50 hours

- Use the – / + touch controls to select the desired time.



- Confirm the selection by pressing the grease filter touch control.

All the indicator lamps will go out.

If you do not confirm your selection within 4 minutes, the cooker hood will automatically revert to the original setting.

Operation

Activating and altering the operating hours counter for the charcoal filter

(in recirculation mode)

The charcoal filter is needed for recirculation mode.

On delivery, the operating hours counter for the charcoal filter is **switched off**,

For recirculation mode, the operating hours counter needs to be set to suit the type of cooking you do:



- Press the On/Off touch control to switch the fan off.



- Press the run-on option and the charcoal filter touch controls at the same time.

The indicator lamp for the charcoal filter control and one of the lamps above the **- / +** controls will flash.



The **- / +** control lamps show the time which has been set:

- 1st lamp from the left = 120 hours
- 2nd lamp from the left = 180 hours
- 3rd lamp from the left = 240 hours
- 4th lamp from the left = deactivated

- Use the **- / +** controls to select the desired time.



- Confirm the selection by pressing the charcoal filter touch control.

All the indicator lamps will go out.

If you do not confirm your selection within 4 minutes, the cooker hood will automatically revert to the original setting.

Resetting the operating hours counter for the charcoal filter



The indicator lamp for the charcoal filter control will light up after the cooker hood has operated for the number of hours set. The charcoal filter must then be replaced with a new one.

Afterwards, the filter operating hours counter must be reset.

- Press and hold the charcoal filter touch control for about 3 seconds while the fan is switched on.

The indicator lamp for the charcoal filter touch control will go out.

Reading the operating hours counter for the charcoal filter

To check the percentage of time set already used:



- Press the On/Off touch control to switch the fan on.



- Press and hold the charcoal filter touch control in.



One or more of the indicator lamps for the - / + touch controls will flash.

The number of flashing lamps shows the percentage of the operating time which has already been used up.

1 lamp	=	25 %
2 lamps	=	50 %
3 lamps	=	75 %
4 lamps	=	100 %

The number of operating hours used remains in the memory, even when the appliance is switched off or there is a power cut.

Cleaning and care

Before any cleaning or maintenance work is carried out, disconnect the cooker hood from the mains supply. Ensure that:

- it is switched off at the wall socket and the plug is withdrawn, or
- the fuse is withdrawn from the fused spur connection unit, or
- the mains fuse is withdrawn, or
- the screw-out fuse is removed (in countries where this is applicable).

A range of Miele branded cleaning and conditioning agents are available to order through your Miele Dealer / Chartered Agent, the Miele Spare Parts Department, or via the internet on www.miele-shop.com.

Housing

General notes

The surfaces and controls are susceptible to scratches and abrasions. Please observe the following cleaning instructions.

- All external surfaces and controls can be cleaned using a Miele E-Cloth, or with water and a small amount of washing-up liquid applied with a well wrung-out soft sponge or cloth.
- Wipe the surfaces dry using a soft cloth.

Do not use too much water when cleaning the controls. Water could penetrate into the electronics and cause damage.

Do not use:

- cleaning agents containing soda, acids, chlorides or solvents,
- abrasive cleaning agents e.g. powder cleaners or cream cleaners, and abrasive sponges, e.g. pot scourers or sponges which have been previously used with abrasive cleaning agents. These will damage the surface material.

Important for appliances with stainless steel housing

(This information does not apply to the controls).

Stainless steel surfaces can be cleaned using the Miele E-Cloth or with a proprietary non-abrasive cleaning agent designed specifically for use on stainless steel.

To help prevent re-soiling, a proprietary conditioning agent for stainless steel can also be used. Follow the manufacturer's instructions, and apply sparingly with an even pressure in the direction of the "grain".

Important for appliances with lacquered housing

(special order finish)

It is very difficult to clean this type of surface without causing minor marks to the surface material. This can become particularly noticeable with darker colours and if there is halogen lighting in the kitchen.

Important for appliances with an aluminium housing:

Aluminium is affected by the way that light falls on it, by the surrounding environment and by the angle you observe it from.

Aluminium surfaces may suffer discolouration or damage if soiling is left on them for too long. Remove any soiling straight away.

Observe the General notes on cleaning earlier in this section.

Do not use:

- stainless steel cleaning agents,
- cleaning agents containing descaling agents,
- dishwasher cleaner,
- oven sprays.

Controls

The controls may suffer discolouration or damage if soiling is left on them for too long. Remove soiling straight away.

Observe the General notes on cleaning earlier in this section.

Do not use stainless steel cleaning agents on the controls.

Glass surfaces

Glass surfaces can be cleaned using a proprietary non-abrasive cleaning agent designed specifically for use on glass.

Avoid oven sprays.

Cleaning and care

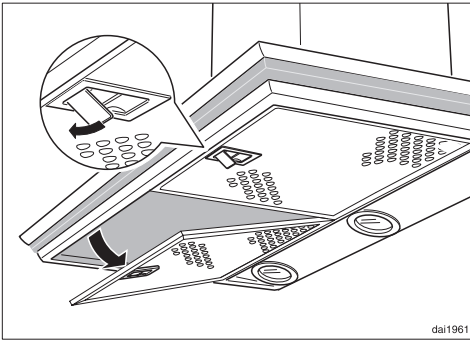
Grease filters

The re-usable metal grease filters in the appliance remove solid particles (grease, dust, etc.) from the kitchen vapours, preventing soiling of the cooker hood.



The grease filters should be cleaned at least every 3-4 weeks to avoid a build-up of grease, but always clean immediately if the grease filter touch control lamp comes on.

An oversaturated filter is a fire hazard.



- To take out the grease filters, release the locking clip on the filter, lower the filter 45°, unhook it at the back and remove it.

To avoid damaging the filters or the hob below, make sure you hold the filters securely at all times when handling them.

Cleaning the grease filters by hand

- Clean the filters with a soft nylon brush in a mild solution of hot water and a small amount of washing-up liquid.
Do not use undiluted washing up liquid.

Do not use:

- cleaning agents containing descaling agents,
- powder cleaners, cream cleaners or abrasive all-purpose cleaning agents,
- oven sprays.

Cleaning the grease filters in the dishwasher

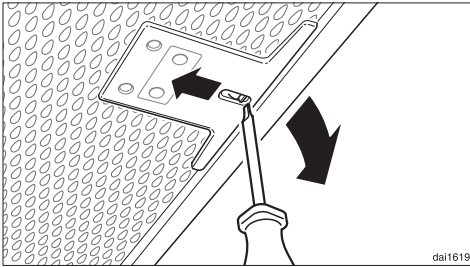
- Place the filters with the short side upright in the lower basket, and wash on a 65° programme using a mild dishwasher detergent, ensuring the spray arm is not obstructed.

Depending on the cleaning agent used, cleaning the filters in a dishwasher can cause permanent discolouration to the surface. However, this will not affect the functioning of the filters in any way.

- After cleaning, leave the filters to dry on an absorbent surface before replacing them.

When removing the filters for cleaning, also clean off any residues of oil or fat from the now accessible housing to prevent the risk of these catching fire.

When putting the grease filters back in position, ensure that the locking clips are facing down towards the hob.



If the grease filters are inadvertently replaced upside down, insert a small screwdriver blade into the slits to disengage the clip.

- After replacing the grease filters, press the grease filter touch control for approximately 3 seconds to reset the operating hours counter. The indicator lamp will go out.

If the grease filters are cleaned before the operating hours counter has reached its maximum, the grease filter touch control should be pressed for approximately 6 seconds to reset the counter.

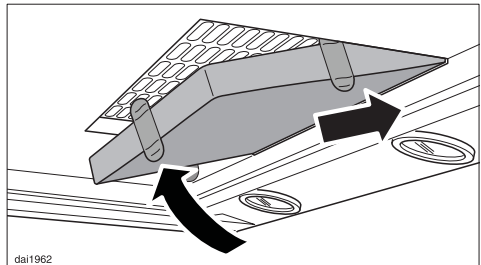
Charcoal filter

If the cooker hood is connected for recirculation, a charcoal filter must be inserted in addition to the grease filters. This is designed to absorb cooking odours.

It is fitted in the canopy above the grease filters.

New filters can be purchased from your Miele Dealer / Chartered Agent or from the Miele Spare Parts Department. See back cover for contact details, and "Technical data" for the model number of the filter.

- Before fitting or replacing a charcoal filter, the grease filters must first be taken out (see previous section for instructions on how to do this).
- Take the charcoal filter out of its packaging.



- Insert the charcoal filter into the canopy.

When fitting for the first time:

- Set the operating hours counter to suit your requirements (see "Operation").

Cleaning and care

Always replace the charcoal filter immediately if



- the indicator lamp for the charcoal filter lights up,
- or
- if it is no longer effective in absorbing kitchen odours.

It should, however, be replaced at least every 6 months.


Used charcoal filters can be disposed of with the normal household waste.

- After fitting the new charcoal filter, press the charcoal filter touch control for approximately 3 seconds to reset the operating hours counter. The charcoal filter indicator lamp will go out.

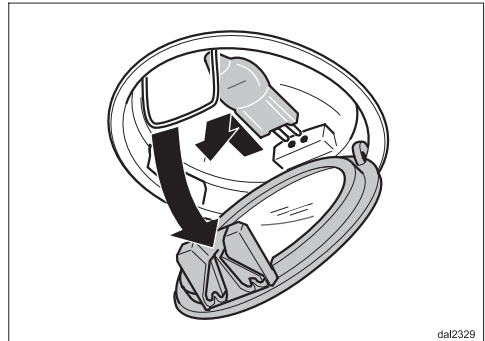
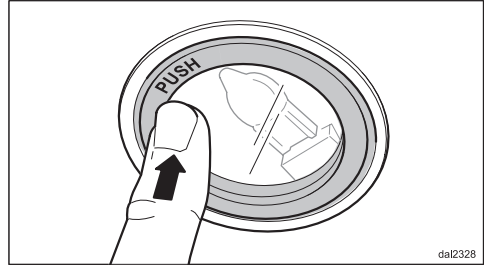
If the charcoal filter is replaced before the operating hours counter has reached its maximum, the charcoal filter touch control should be pressed for approximately 6 seconds to reset the counter.

Changing a halogen lamp

- Before any cleaning or maintenance work, disconnect the cooker hood from the mains supply. Ensure that—
 - it is switched off at the wall socket and the plug removed, or—
 - it is switched off at the isolator, or—
 - the screw-out fuse is removed (in countries where this is applicable).

 Exercise caution when changing halogen lamps. They get very hot during use and remain hot for some time after being switched off. Let them cool down before you change them.

Do not touch the surface directly when changing a lamp, as grease particles from your fingers will adhere to the surface and damage it. Please follow the manufacturer's instructions.



- To access the halogen lamp, push the lamp cover gently upwards. The cover will open and can be pulled down.
- Pull the old halogen lamp out of the connection socket and replace it with a new one (20 W, G 4 fitting).
- Push the cover back up and make sure it clicks into place.

After Sales Service

In the event of a fault which you cannot correct yourself, or if the appliance is under guarantee, please contact:

– Your Miele Dealer / Chartered Agent

or

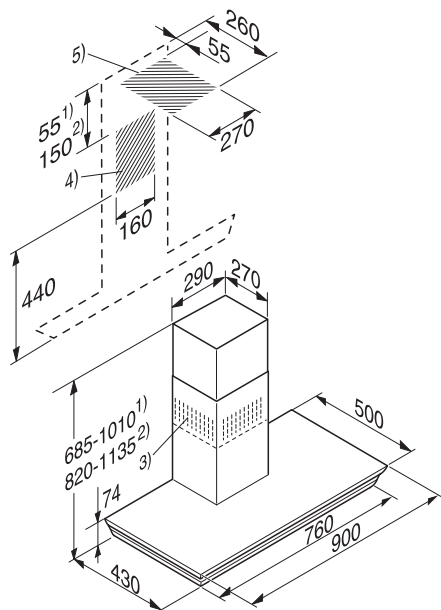
– The Miele Customer Contact Centre
(see back cover for address).

When contacting your Dealer or the Contact Centre, please quote the model and serial number of your appliance.

These are shown on the data plate which is visible when the grease filter is removed.

For GB: Please note that telephone calls may be monitored and recorded for training purposes.

Appliance dimensions



- 1) Extraction
- 2) Recirculation
- 3) Ventilation grille positioned at the top for recirculation
- 4) and 5):
(5 is not required for recirculation mode cooker hoods)

The shaded area represents the wall or ceiling area for the vent cut-out, for fitting the connection socket and on EXT models for feeding the connection cable through to the external motor. For recirculation mode, only a connection socket needs to be fitted.

Connection for air extraction

Ø 150 mm, or Ø 125 mm with reducing collar.

Safety distance (S)

When planning the installation height of your cooker hood, the **minimum** safety distance between the top of a cooker or hob and the bottom of the cooker hood are as follows, unless a greater distance is specified by the manufacturer of your cooking appliance:

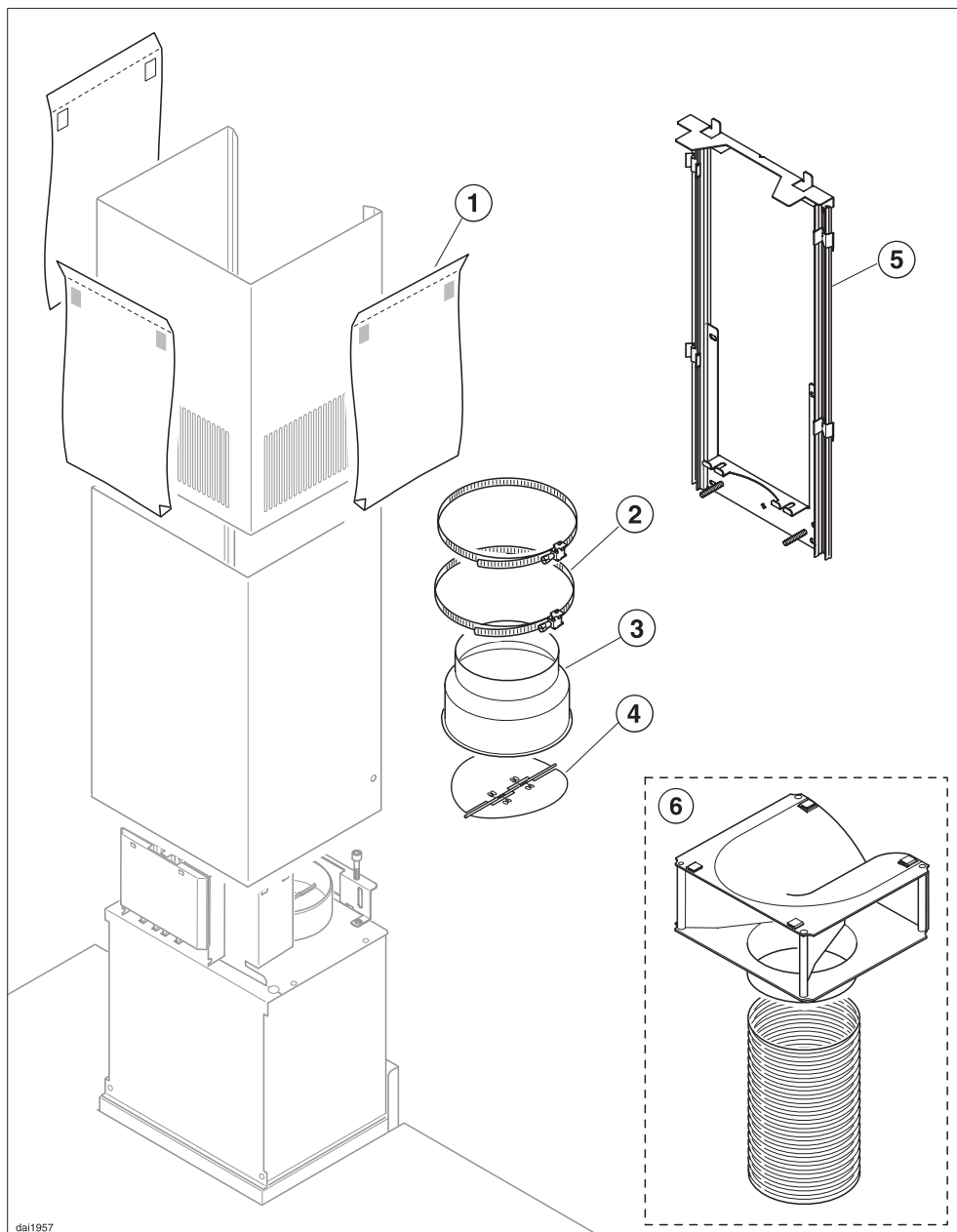
- 450 mm (GB), 600 mm (AU, NZ) above electric hobs and cookers,
- 650 mm above gas hobs and cookers,
- 650 mm above an open grill or deep fat fryer.

See "Warning and Safety" instructions for further information.

- When deciding on the safety distance, please note that 650 mm may be preferable above electric cookers/hobs to give more working space.
- Account should also be taken of the height of the person who will be using the hood most often. They should have sufficient space to work comfortably at the hob, and be able to reach the hood controls with ease.
- If positioned too high, extraction will be inefficient.
- The height of the cooking appliance below must be taken into account when planning the installation height of the cooker hood.

Installation

Assembly parts



- ① **3 protective sheets**
for use when fitting the tower.
- ② **2 hose clips**
for securing the exhaust ducting.
- ③ **1 reducing collar**
for exhaust ducting \varnothing 125 mm.
- ④ **1 non-return flap**
for fitting into the exhaust connection on the motor unit (not needed for recirculation mode)
- ⑤ **Telescopic wall bracket**
for securing the cooker hood to the wall.
- ⑥ **Conversion kit for recirculation mode**
including directional unit and flexible aluminium hose (the conversion kit is not supplied with the cooker hood but is available as an optional extra, see "Technical data").



6 screws 5 x 40 mm and
6 x S 8 plugs
for securing the wall bracket.

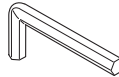
The screws and plugs are designed for use in solid walls only. For other types of wall construction, alternative fixings will be required. Make sure that the wall is able to take the weight of the cooker hood.



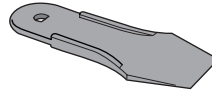
2 x M 6 self-tapping nuts
for securing the appliance.



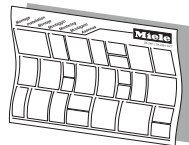
2 screws 3.9 x 7.5 mm
for securing the tower.



1 hexagonal (Allen) key
for adjusting the height of the appliance.



1 lever for dismantling the tower.



Installation instructions

Installation

Before installation, it is important to read the information given on the following pages as well as the "Appliance dimensions" and the "Warning and Safety instructions" at the beginning of this booklet. This is particularly crucial when using the cooker hood at the same time as a heating appliance that relies on oxygen from the same room, which could result in the build-up of toxic fumes.

Installation instructions

See enclosed Installation sheet for instructions on how to install this appliance.

Protective foil

(on stainless steel appliances)

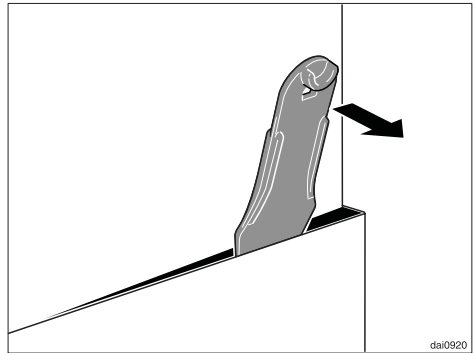
The housing components have protective foil around them to prevent them from transport damage.

Please remove this foil before fitting the housing components. It can be peeled off easily.

Dismantling

Should the appliance ever need to be dismantled, follow the installation instructions in reverse order as described on the installation sheet.

A lever is supplied to assist with the removal of the tower.



- After loosening the fixing screws on the tower, push the lever between the tower and the extension piece to lever the tower out of its fixings.

Connection for air extraction

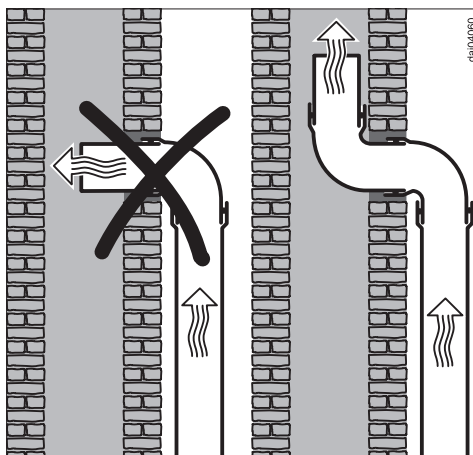
Important: To avoid the danger of toxic fumes please observe the Warning and Safety instructions. This is especially crucial when using the cooker hood at the same time as another heating appliance which relies on air from the same room. The cooker hood should be installed according to local and national building regulations. Seek approval from the building inspector where necessary.

- All ducting, pipework and fittings must be of non-flammable materials.
- The exhaust ducting should be as short and straight as possible.
- To ensure efficient air extraction, the diameter of the exhaust ducting should not be less than 150 mm.

If exhaust ducting with a diameter of less than 150 mm, or if flat ducting is used, the noise level of the cooker hood will increase and extraction will be less efficient.

- Only reduce the diameter of the ducting if absolutely necessary, e.g. where narrower ducting has already been installed.
- Only use wide radius bends. Tight bends reduce the air throughput of the cooker hood.
- Only use smooth pipes or flexible hoses made from non-flammable materials for extraction connection.

If the exhaust ducting is secured to the exhaust stub by a hose clip, ensure that it is fitted correctly. Do not overtighten. Otherwise the exhaust stub could buckle and the non-return flap could become jammed.



- Where ducting is horizontal, it must be laid to slope away at at least 1 cm per metre.

This is to ensure that condensate cannot drain back into the cooker hood.

- If the exhaust air is to be ducted into the open air, the installation of a telescopic wall vent is recommended.
- If the exhaust air is to be ducted into a vent flue, the ducting must be directed in the flow direction of the flue.

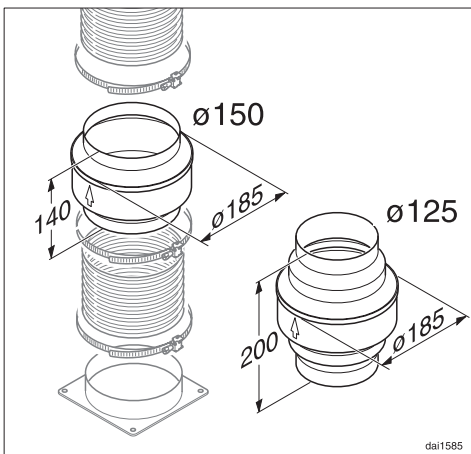
Connection for air extraction

Important:

If the exhaust ducting is to run through rooms, ceiling space etc. where there may be great variations in temperature between the different areas, the problem of condensation will need to be addressed. The exhaust ducting will need to be suitably insulated.

Condensate trap

(optional accessory)

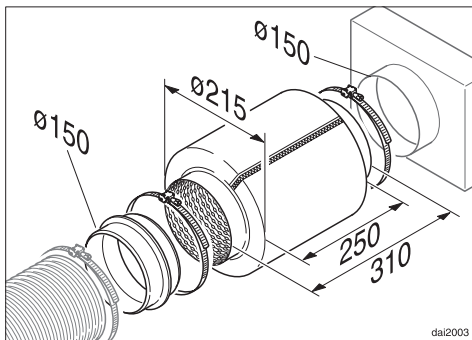


In addition to insulating the exhaust ducting, we recommend that a suitable condensate trap is installed to collect and evaporate any condensate which may occur. Condensate traps are available for \varnothing 125 mm or \varnothing 150 mm ducting.

When installing a condensate trap, ensure that it is positioned vertically and if possible directly above the exhaust connection. The arrow on the housing indicates the direction of air-flow.

Cooker hoods designed for use with an external motor (...EXT models) have an integrated condensate trap.

Silencer



To achieve even further reductions in noise levels, a special silencer can be fitted in the ducting system.

It can be sited at any suitable position in the ducting system between the cooker hood and the external motor on EXT model cooker hoods.

On extraction models, it can be fitted nearest the ducting outlet to the outside to reduce neighbourhood noise.

On recirculation models, it can be fitted in between the fan and the deflector.

All electrical work should be undertaken by a suitably qualified and competent person in strict accordance with current national and local safety regulations (BS 7671 in the UK).

Installation, repairs and other work by unqualified persons could be dangerous, for which the manufacturer cannot be held liable.

Ensure power is not supplied to the appliance until after installation or repair work has been carried out.

Do not connect the appliance to the mains electricity supply by an extension lead. These do not guarantee the required safety of the appliance.

The connection data is given on the data plate. This is visible when the grease filters have been removed. Ensure that this data matches the household mains supply.

Connection of this appliance should be made via a suitable isolator or a double pole fused spur connection unit which complies with national and local safety regulations and the On-Off switch should be easily accessible after the appliance has been built in. When switched off there must be an all-pole contact gap of 3 mm in the switch (including switch, fuses and relays according to EN 60335).

If the switch is not accessible after installation (depending on country), an additional means of disconnection must be provided for all poles.

For extra safety it is advisable to install a suitable residual current device (RCD). Contact a qualified electrician for advice.

Important

This appliance is supplied for connection to an a.c. 230 V single phase 50 Hz supply.

The wires in the mains lead are coloured in accordance with the following code:

Green/yellow	= earth
Blue	= neutral
Brown	= live

**WARNING:
THIS APPLIANCE MUST BE
EARTHED**

Operation with Control module DSM 400

The Miele DSM 400 Control module can be used to combine the cooker hood with other components.

It enables the following:

Connection to a window contact switch

If adequate ventilation to the room can only be ensured by having a window open when the cooker hood is in use at the same time as a heating appliance which depends on the air from the same room, then the control module can be used to connect a window contact switch (not supplied) to the appliance.

Once connected, the cooker hood can only be operated when the window is sufficiently open (see also "Warning and Safety instructions").

When the window is closed the cooker hood fan cannot be switched on. The indicator lamp for the On/Off touch control on the cooker hood will flash.

The same applies to operation with an external motor (depending on model).

The cooker hood lighting is not affected by this.

Take care when ventilating the room through an open window that ventilation is not impaired by a closed blind or curtain.

If the control module is disconnected in order to operate the cooker hood without the window contact switch (e.g. after moving house) the cooker hood electronics must be reset by a Miele service technician.

Potential free connection

This enables an external appliance to be controlled according to the switch setting on the cooker hood fan.

- For instance it can be used to ensure a sufficient supply of fresh air when the cooker hood and a heating appliance which also depends on the air in the room are being used together, by switching on an air intake fan, or opening a motorised inlet flap as soon as the cooker hood fan is switched on. It is important to ensure that the fan power is sufficient and that the air intake has a suitable cross-sectional diameter.
- If a sufficient air intake cannot be guaranteed, then the potential free contact will enable a heating appliance, which depends on air in the same room as a cooker hood, to be switched off when the cooker hood is in operation.

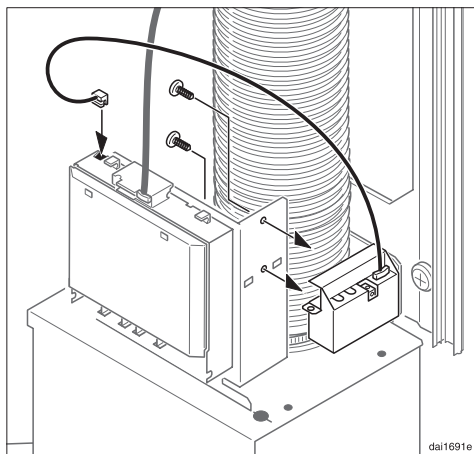
See also "Warning and Safety" instructions.

Operation with Control module DSM 400

Connection to a light switch

The control module can be used to switch on the cooker hood lighting and also to dim it, depending on model, via a light switch in the house.

Installation



The tower needs to be removed before the control module can be fitted to the fan unit.

The control module is supplied with its own detailed operating and installation instructions.

Technical data

Total connected load* 270 W
Fan motor* 200 W
Hob lighting 3 x 20 W
Glass edge feature lighting 10 W

Voltage 230 V

Frequency 50 Hz

Fuse rating GB 3 A

AUS, NZ:

Plug rating 10 A

Test marks Electrical safety
. C-Tick Mark

Electrically suppressed
according to AS/NZS 1044

Electrical cable length 1.5 m

Weight

DA 279-4 32 kg

DA 279-4 EXT 29 kg

Fan performance*

Extraction power according to
EN 61591

Extraction system Ø 150 mm:

Level I 200 m³/h

Level II 300 m³/h

Level III 400 m³/h

Level IV Intensive Setting 640 m³/h

Extraction system Ø 125 mm:

Level I 180 m³/h

Level II 280 m³/h

Level III 380 m³/h

Level IV Intensive Setting 580 m³/h

Unrestricted 690 m³/h

Recirculation with charcoal filter:

Level I 150 m³/h

Level II 210 m³/h

Level III 330 m³/h

Level IV Intensive Setting 490 m³/h

Special accessory for recirculation mode:

– **Conversion kit DUW 20**

– **Miele charcoal filter DKF 12-1**

* For EXT models the connected load and extraction power will depend on the type of external motor fitted.

EXT models:

Length of connection cable to external motor 1.9 m



United Kingdom

Miele Co. Ltd.
Fairacres, Marcham Road
Abingdon, Oxon, OX14 1TW
Tel: (01235) 554455
Fax: (01235) 554477
Customer Contact Centre Tel: (08707) 554466
E-mail: info@miele.co.uk
Internet: www.miele.co.uk

Australia

Miele Australia Pty. Ltd.
ABN 96 005 635 398
1 Gilbert Park Drive, Knoxfield, VIC 3180
Tel: (03) 9764 7130
Fax: (03) 9764 7149
Internet: www.miele.com.au

China

Miele Shanghai
Suite 4105-06, Plaza 66
1266 Nanjing Road West
Jing An District
Shanghai 200040, PRC
Tel: +86 21 6288 4200
Fax: +86 21 6288 4100
E-mail: mieleshanghai@cn.miele.com
Internet: www.miele.cn

Hong Kong

Miele (Hong Kong) Limited
AIA Plaza, 24th Floor
18 Hysan Avenue
Causeway Bay
Tel: +852- 2610-1331
Fax: +852-2610-1013
E-mail: mielehk@miele.com.hk
Internet: www.miele.hk

Ireland

Miele Ireland Ltd.
Broomhill Road, Tallaght, Dublin 24
Tel: (01) 461 0710
Fax: (01) 461 07 97
E-Mail: info@miele.ie
Internet: www.miele.ie

New Zealand

Miele New Zealand Limited
Unit L, 10-20 Sylvia Park Road
Mt. Wellington, 1060, Auckland, NZ
Tel: 0800 264 353
Fax: 0800 463 453
Internet: www.miele.co.nz

South Africa

Miele (Pty) Ltd
63 Peter Place, Bryanston 2194
P.O. Box 69434, Bryanston 2021
Tel: +27 (0) 11 548-1900
Fax: +27 (0) 11 548-1935
E-mail: info@miele.co.za
Internet: www.miele.co.za

Singapore

Miele Southeast Asia
Miele Pte. Ltd.
163 Penang Road
04 - 02/03 Winsland House II
Singapore 238463
Tel: +65 6735 1191
Fax: +65 6735 1161
E-Mail: infosea@miele.com.sg
Internet: www.miele.sg

United Arab Emirates

Miele Appliances Ltd.
P.O. Box 11 47 82
Gold & Diamond Park
Sheikh Zayed Road
Building 6 / Offices Nos. 6-214 to 6-220
Dubai
Tel: +971-4-341 84 44
Fax: +971-4-341 88 52
E-Mail: info@miele.ae
Internet: www.miele.ae